

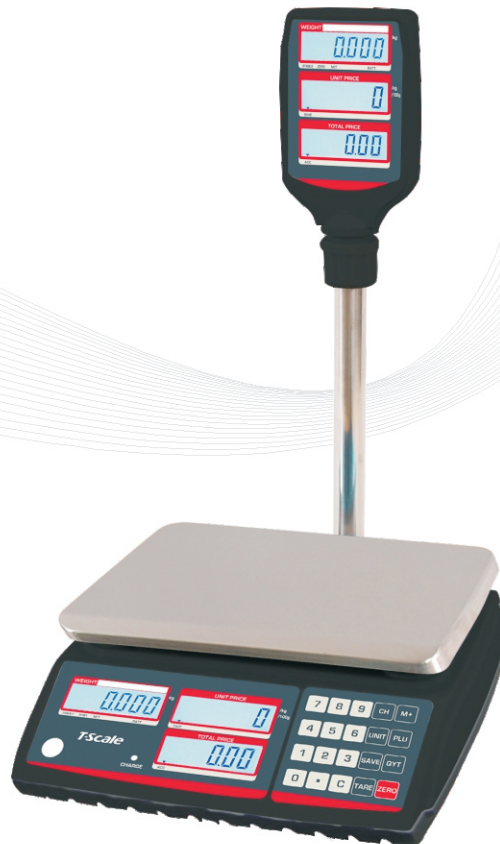
## WTP/WSP Price Computing Scales

### General Specifications

- |                    |   |
|--------------------|---|
| • Display          | 15mm digit LCD display, with white LED backlight                |
| • Capacities       | 6kg~30kg  |
| • Pan size         | 204 x263mm  |
| • Keyboard         | 20keys (Membrane keyboard)                                      |
| • Housing          | ABS plastic   |
| • Max. Divisions   | 3,000e; 2 x 3,000e  |
| • ADC update       | ≤1/10 second  |
| • Operate Temp     | -10°C~+40°C   |
| • Power            | AC adapter (12V/500mA),built-in rechargeable battery (6V/3.2Ah) |
| • WTP Gross weight | 4.1kg   |
| • WSP Gross weight | 4.5kg   |



WTP



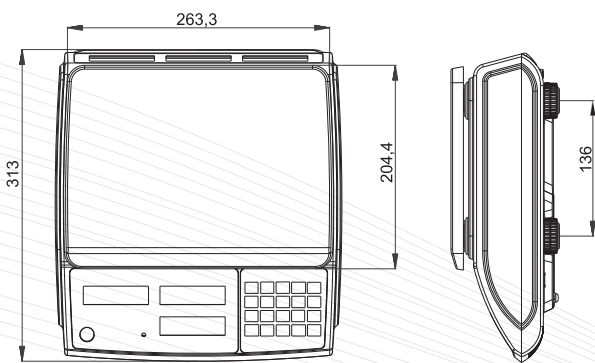
WSP

- Standard stainless pan and dust cover
- 10 indirect PLU
- Accumulation, Weighing unit conversion and Change function
- Auto unit price clear
- Pole display (WSP)
- Battery provide up to 60 hours of continuous use (without backlight)

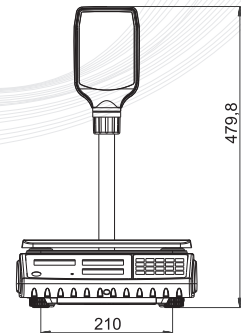
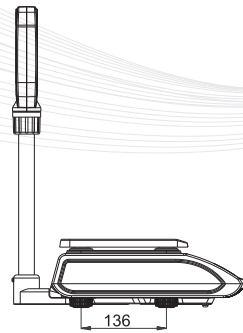
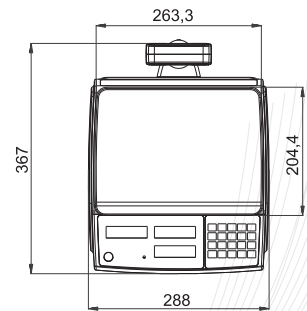
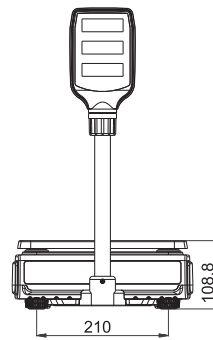
## WTP/WSP Price Computing Scales

Model Name	Capacity	Readability	Division	Approx. weight	Approval
WSP-6K-MR	<b>3/6kg</b>	1g/2g	2x3,000e	4.5kg	CE, OIML
WSP-15K-MR	<b>6/15kg</b>	2g/5g	2x3,000e	4.5kg	CE, OIML

### Dimensions(mm)



WTP



WSP